

## Starter mechanism diagram:

PP- 407-66-AY (complete assembly)

Complete Starter Assembly Kit includes:

Starter shaft bolt ..PP-407A-90 (1990-93 starters)

Starter shaft bolt ..PP-407A-94 (1994-01 starters)

Spring .....PP- 407B

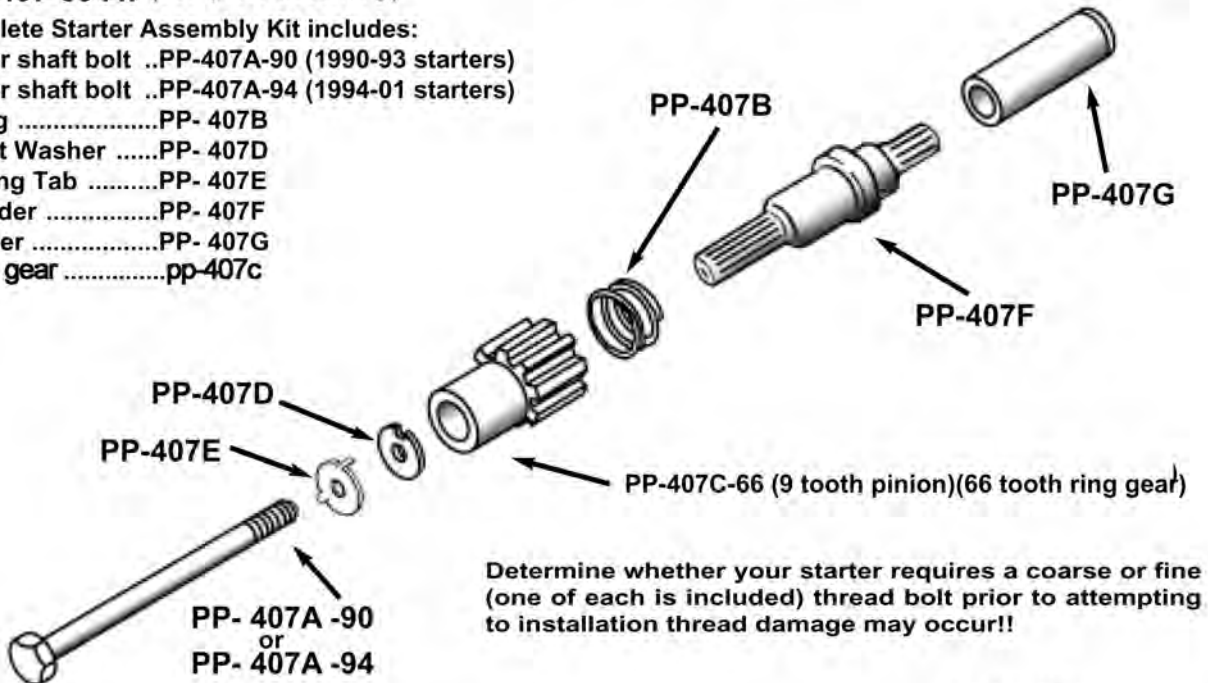
Thrust Washer .....PP- 407D

Locking Tab .....PP- 407E

Extender .....PP- 407F

Coupler .....PP- 407G

Pinion gear .....pp-407c



## Motor Plate PP-502 Dyna-Glide® billet aluminum Motor Plate Assembly

